

SIMPSON DOOR CO.

MAHOGANY THORO HUNG WESTAR GLAZED DOUBLE OUTSWING DOOR - IMPACT RATED

INSTALLATION ANCHORAGE DETAILS

PROJECT NO. 421-0102				

SIMPSON DOOR COMPANY 400 SIMPSON AVE. MCCLEARY, WA 98557	TITLE: MAHOGANY THORO HUNG WESTAR GLAZED DBL OS DOOR GENERAL AND INSTALLATION NOTES	DATE:	6/11/21
		DRAWING NO.:	SIMP0017
		DRAWN BY:	RJA
		SCALE:	N.T.S.
		REV:	---

Robert J. Amoruso, P.E.
Florida P.E. No. 49752



GENERAL NOTES:

- THIS PRODUCT IS DESIGNED TO COMPLY WITH THE CURRENT EDITION OF THE FLORIDA BUILDING CODE - BUILDING (FBC) AND RESIDENTIAL (FRC) REQUIREMENTS FOR WIND ZONE 3 & 4, MISSILE LEVEL D EXCLUDING THE HIGH VELOCITY HURRICANE ZONE (HVHZ) AT THE DESIGN PRESSURE(S) STATED HEREIN. THE PRODUCT DETAILS CONTAINED HEREIN ARE BASED UPON SIGNED AND SEALED TEST REPORT # NCTL-210-4190-8 AND ASSOCIATED LABORATORY STAMPED DRAWINGS.
- ADEQUACY OF THE EXISTING STRUCTURAL CONCRETE / MASONRY AND 2X FRAMING AS A MAIN WIND FORCE RESISTING SYSTEM CAPABLE OF WITHSTANDING AND TRANSFERRING APPLIED PRODUCT LOADS TO THE STRUCTURE IS THE RESPONSIBILITY OF THE ENGINEER OR ARCHITECT OF RECORD.
- 1X AND 2X BUCKS (WHEN USED) SHALL BE DESIGNED AND ANCHORED TO PROPERLY TRANSFER ALL LOADS TO THE STRUCTURE. BUCK DESIGN AND INSTALLATION IS THE RESPONSIBILITY OF THE ENGINEER OR ARCHITECT OF RECORD.
- IN AREAS WHERE WIND-BORNE DEBRIS PROTECTION REQUIREMENTS EXIST, USE OF AN APPROVED IMPACT PROTECTIVE SYSTEM IS NOT REQUIRED.
- DOOR FRAME OR COMPONENTS STRUCTURAL CORE MATERIAL: LAMINATED VENEER LUMBER (LVL) AND/OR FIR OR PINE FINGERJOINTED AND EDGE GLUED CORE MATERIAL. USE OF ALTERNATE WOOD VENEERS ON THE SAME STRUCTURAL CORE MATERIAL IS ACCEPTABLE FOR THIS PRODUCT. LVL MAY BE EITHER VERTICAL OR HORIZONTAL ORIENTATION.
- GLASS MEETS THE REQUIREMENTS OF ASTM E1300-12AE1. SEE SHEET 4 FOR GLAZING DETAILS.

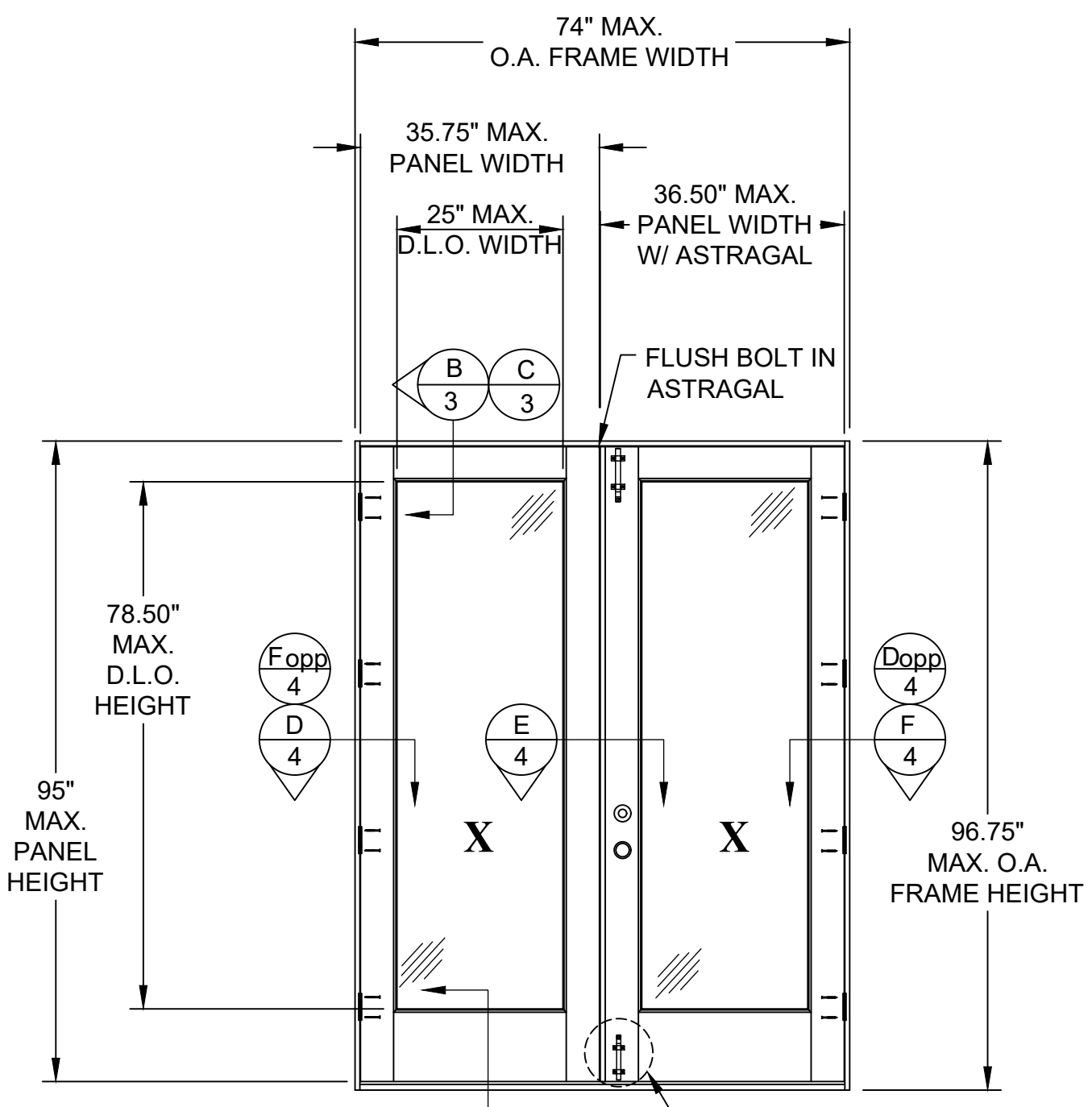
INSTALLATION NOTES:

- ONE (1) INSTALLATION ANCHOR IS REQUIRED AT EACH ANCHOR LOCATION SHOWN.
- THE NUMBER OF INSTALLATION ANCHORS DEPICTED ARE THE MINIMUM NUMBER OF ANCHORS TO BE USED FOR PRODUCT INSTALLATION. ANCHORS ARE TO MATCH TYPE, SIZE, AND EMBEDMENT OF THOSE SHOWN HEREIN FOR RESPECTIVE SUBSTRATE.
- SHIM AS REQUIRED AT EACH INSTALLATION ANCHOR WITH LOAD BEARING SHIM(S). MAXIMUM ALLOWABLE SHIM SIZE IS 1/4 INCH. SHIM WHERE SPACE OF 1/16 INCH OR GREATER OCCURS. SHIM(S) SHALL BE CONSTRUCTED OF HIGH DENSITY PLASTIC OR BETTER.
- FOR INSTALLATION INTO WOOD FRAMING, USE #12 WOOD SCREWS OF SUFFICIENT LENGTH TO ACHIEVE 1 1/2 INCH MINIMUM EMBEDMENT. MINIMUM EDGE DISTANCE IS 7/8 INCHES.
- FOR INSTALLATION THROUGH 1X BUCK TO CONCRETE / MASONRY, OR DIRECTLY INTO CONCRETE / MASONRY, USE 1/4 INCH ITW TAPCONS (ADVANCED THREADFORM) OF SUFFICIENT LENGTH TO ACHIEVE 1 3/4 INCH MINIMUM EMBEDMENT INTO CONCRETE AND 1 INCH MINIMUM EMBEDMENT INTO MASONRY. MINIMUM EDGE DISTANCE IS 2-1/2 INCHES FOR CONCRETE AND MASONRY.
- MINIMUM EMBEDMENT AND EDGE DISTANCE EXCLUDE WALL FINISHES (INCLUDING BUT NOT LIMITED TO STUCCO, FOAM, BRICK VENEER AND SIDING).

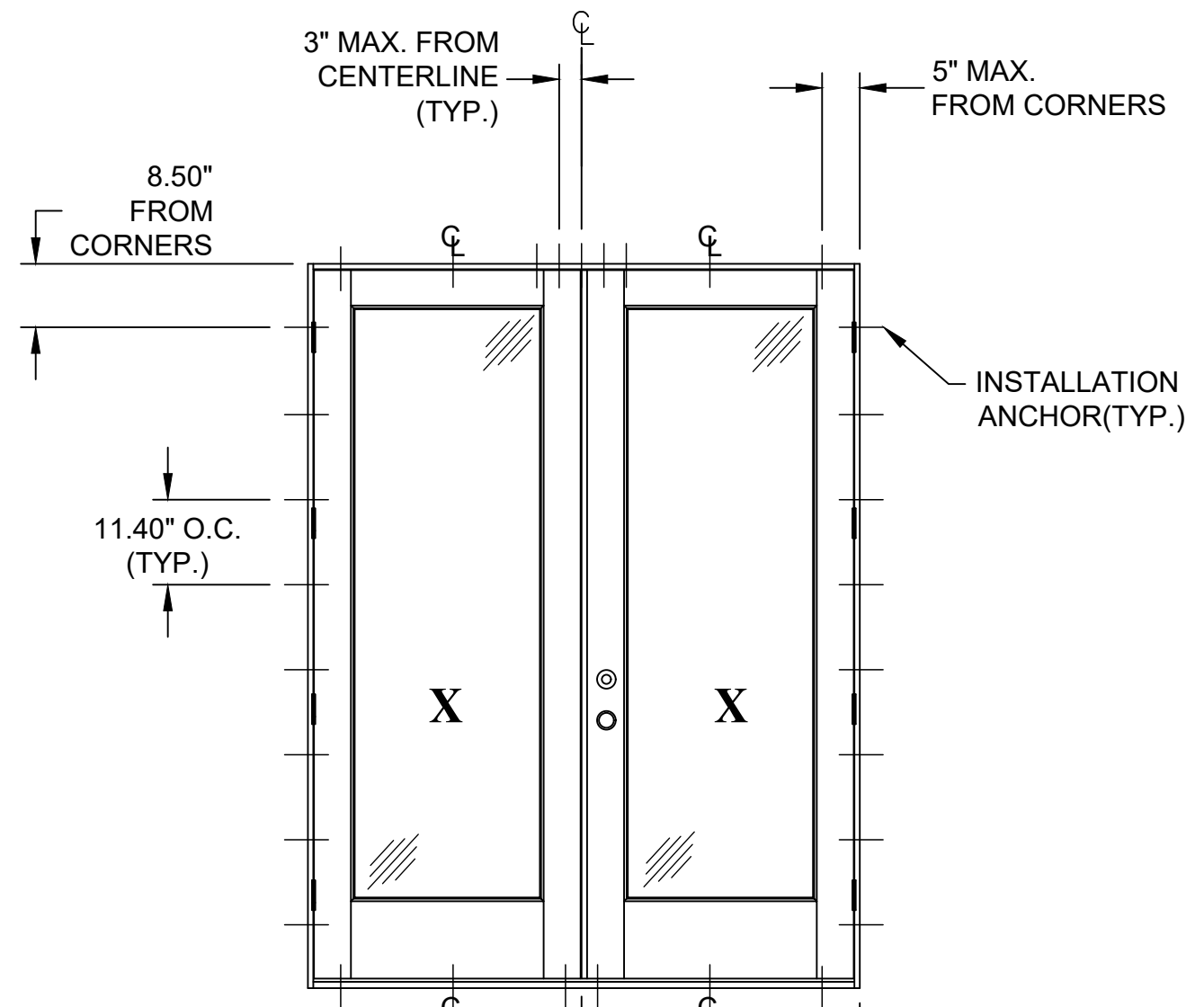
- FOR CONCRETE BLOCK, DO NOT INSTALL INSTALLATION ANCHORS INTO MORTAR JOINTS. EDGE DISTANCE IS MEASURED FROM FREE EDGE OF BLOCK OR EDGE OF MORTAR JOINT INTO FACE SHELL OF BLOCK.
- INSTALLATION ANCHOR CAPACITIES FOR PRODUCTS HEREIN ARE BASED ON SUBSTRATE MATERIALS WITH THE FOLLOWING PROPERTIES:
 - WOOD - MINIMUM SPECIFIC GRAVITY OF 0.42 (NON-HVHZ).
 - CONCRETE - MINIMUM COMPRESSIVE STRENGTH OF 2500 PSI.
 - MASONRY - STRENGTH CONFORMANCE TO ASTM C-90 MEDIUM WEIGHT WITH COMPRESSIVE STRENGTH OF 1900 psi (DENSITY > 117 PCF).

TABLE OF CONTENTS	
SHEET	DESCRIPTION
1	GENERAL AND INSTALLATION NOTES
2	ELEVATIONS AND ANCHOR LAYOUT
3	VERTICAL SECTIONS & SURFACE BOLT DETAILS
4	HORIZONTAL SECTIONS, GLAZING DETAILS & MUNTIN DETAILS
5	QUALIFIED PANELS

DESIGN PRESSURE RATING (PSF)		IMPACT RATING
WHERE WATER INFILTRATION REQUIREMENT IS NEEDED	WHERE WATER INFILTRATION REQUIREMENT IS NOT NEEDED	MISSILE LEVEL D WIND ZONE 3 & 4
±50.0	±50.0	



ELEVATION
(INTERIOR VIEW)



ANCHOR LAYOUT
(INTERIOR VIEW)

PROJECT NO. 421-0102

REV	DESCRIPTION	DATE	BY

SIMPSON DOOR COMPANY
400 SIMPSON AVE.
MCCLEARY, WA 98557

TITLE: MAHOGANY THORO HUNG WESTAR GLAZED DBL OS DOOR
ELEVATION & ANCHOR LAYOUT

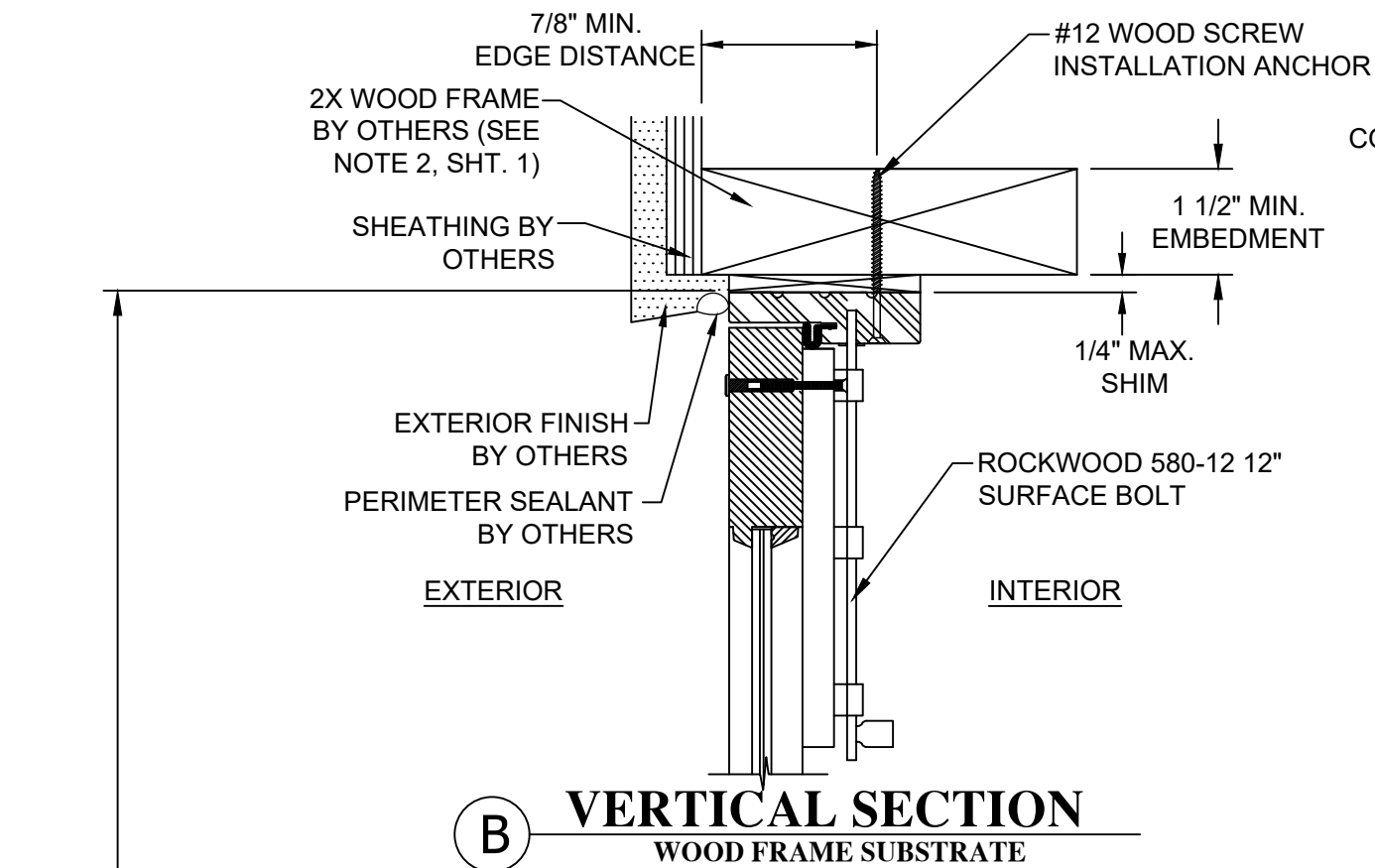
DRAWN BY: RJA	DATE: 6/11/21
SCALE: N.T.S.	DRAWING NO: SIMP0017
REV: ---	SHEET: 2 OF 5

PREPARED BY: **PTC**

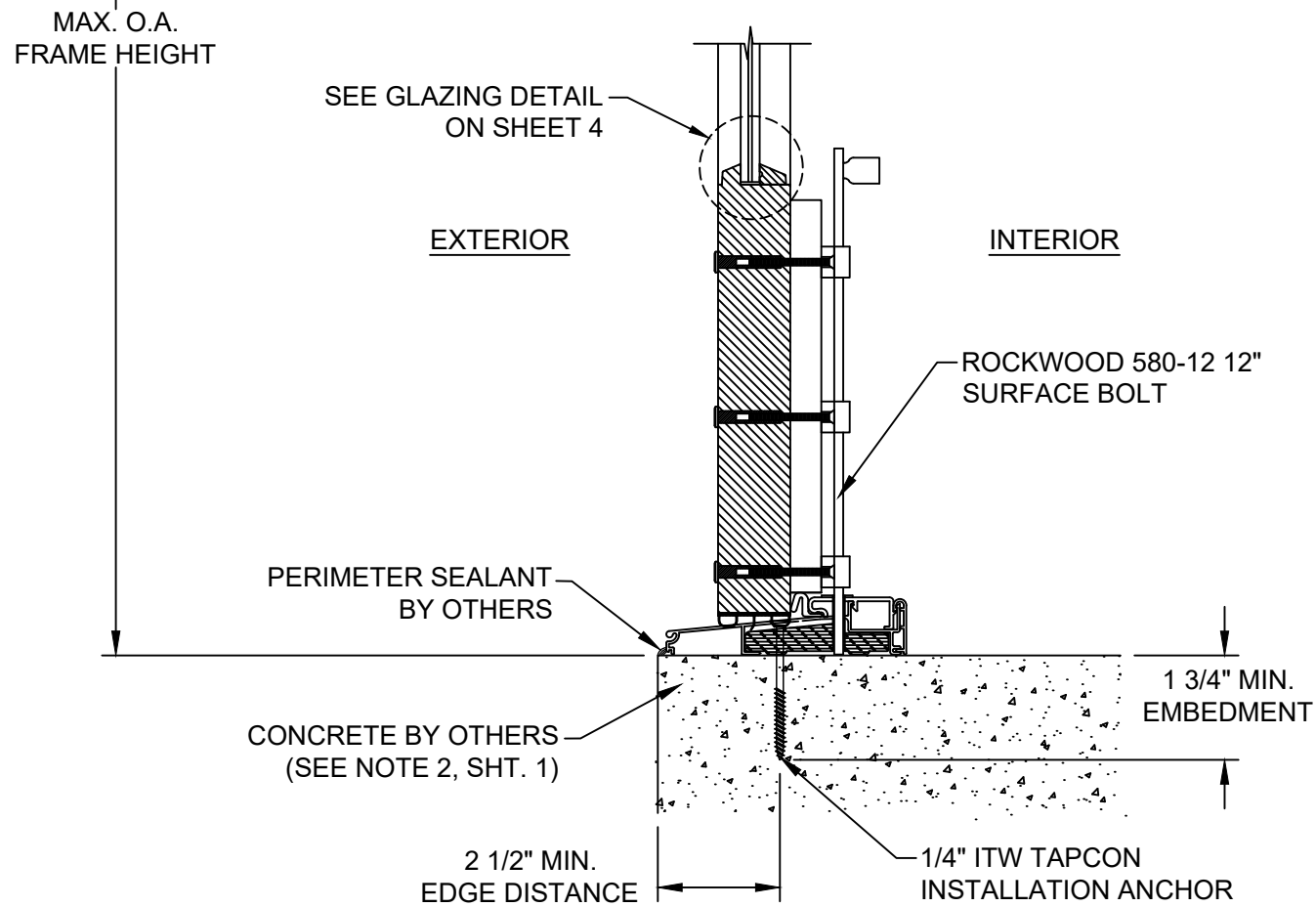
PTC Product Design Group, LLC
PO Box 320775
Lenoir, NC 27539-0775
Phone: 321.690.1789
Fax: 321.690.1789
Email: info@ptc-corp.com
FBPE CA. NO. 25535

Robert J. Amoroso, P.E.
Florida P.E. No. 49752

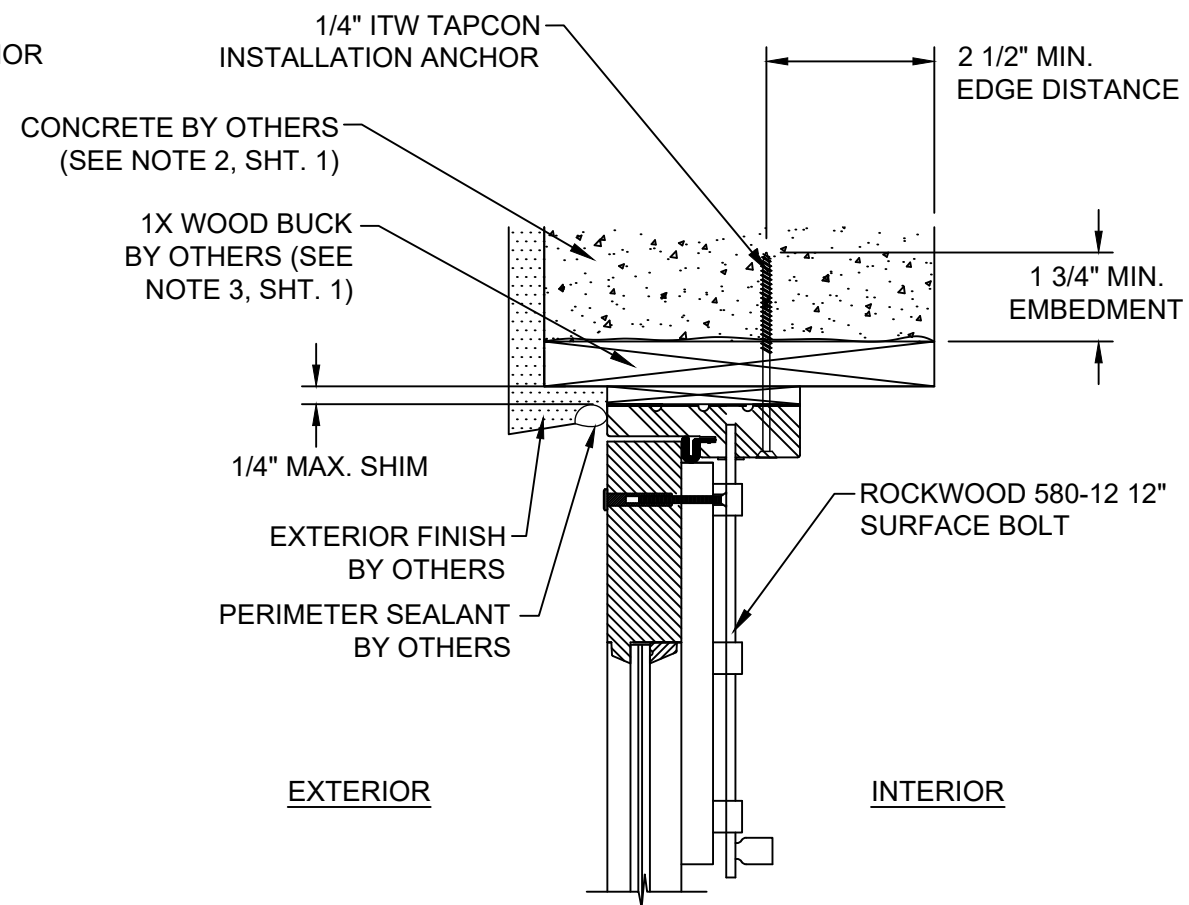




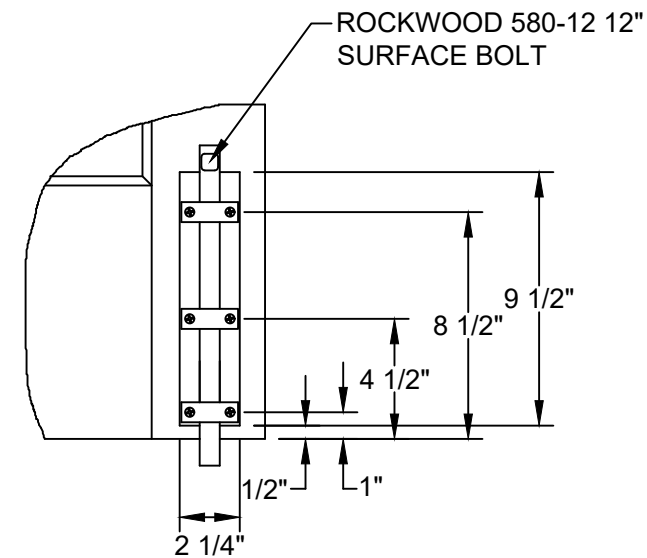
B VERTICAL SECTION
WOOD FRAME SUBSTRATE



A VERTICAL SECTION
CONCRETE SUBSTRATE



C VERTICAL SECTION
CONCRETE SUBSTRATE



SURFACE BOLT DETAIL

PROJECT NO. 421-0102

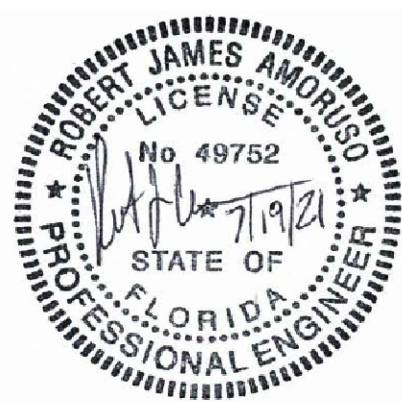
SIMPSON DOOR COMPANY
400 SIMPSON AVE.
MCCLEARY, WA 98557

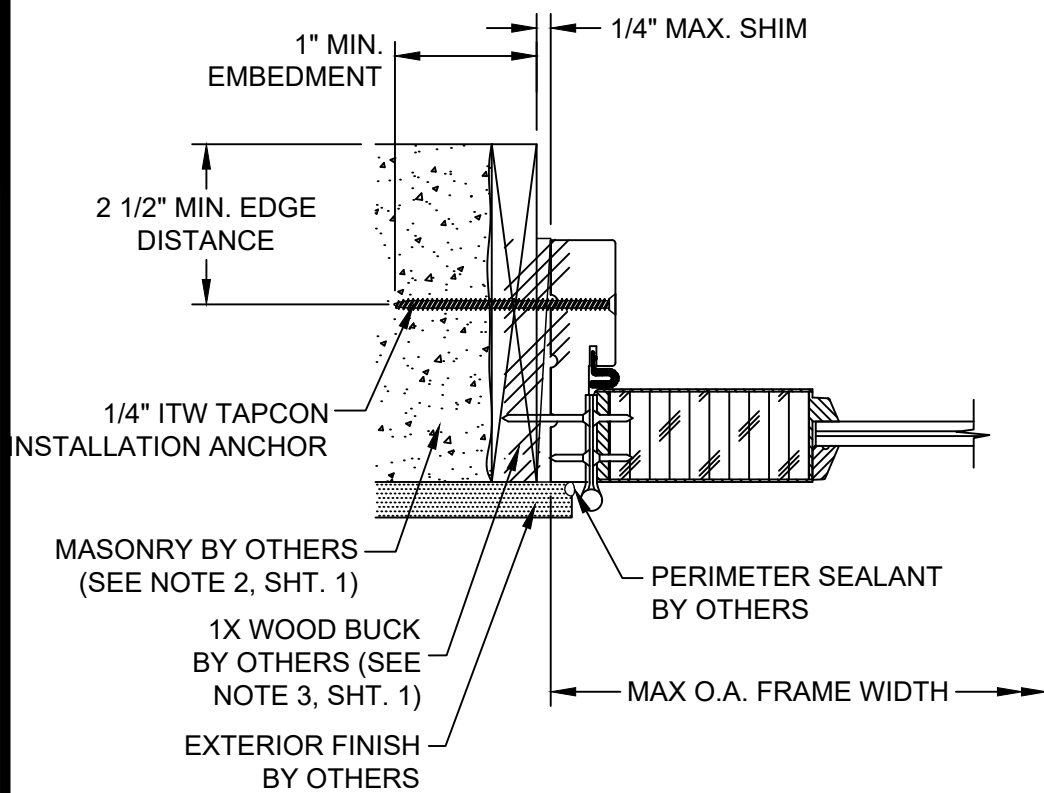
TITLE: MAHOGANY THORO HUNG WESTAR GLAZED DBL OS DOOR
VERTICAL SECTIONS & SURFACE BOLT DETAIL

PREPARED BY: RJA
DRAWN BY: RJA
DATE: 6/11/21
SCALE: N.T.S.
DRAWING NO.: SIMP0017
SHEET: 3 OF 5

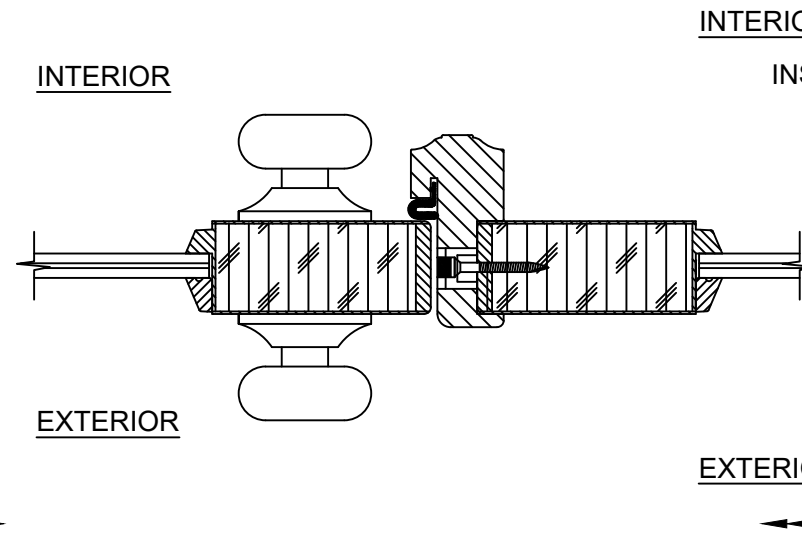
Phone: 321.690.1788
Fax: 321.690.1789
PO Box 320775
Lynchburg, VA 24032-0775
Email: info@gdc-corp.com
FBPE C.A. NO. 25535

Robert J. Amoruso, P.E.
Florida P.E. No. 49752

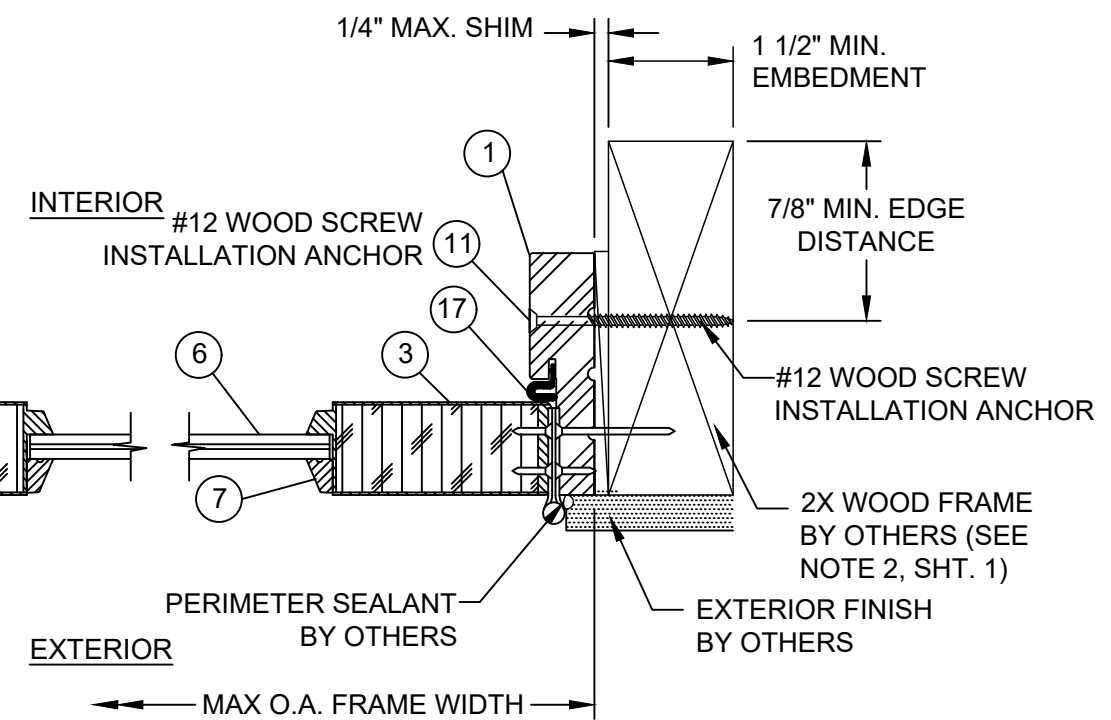




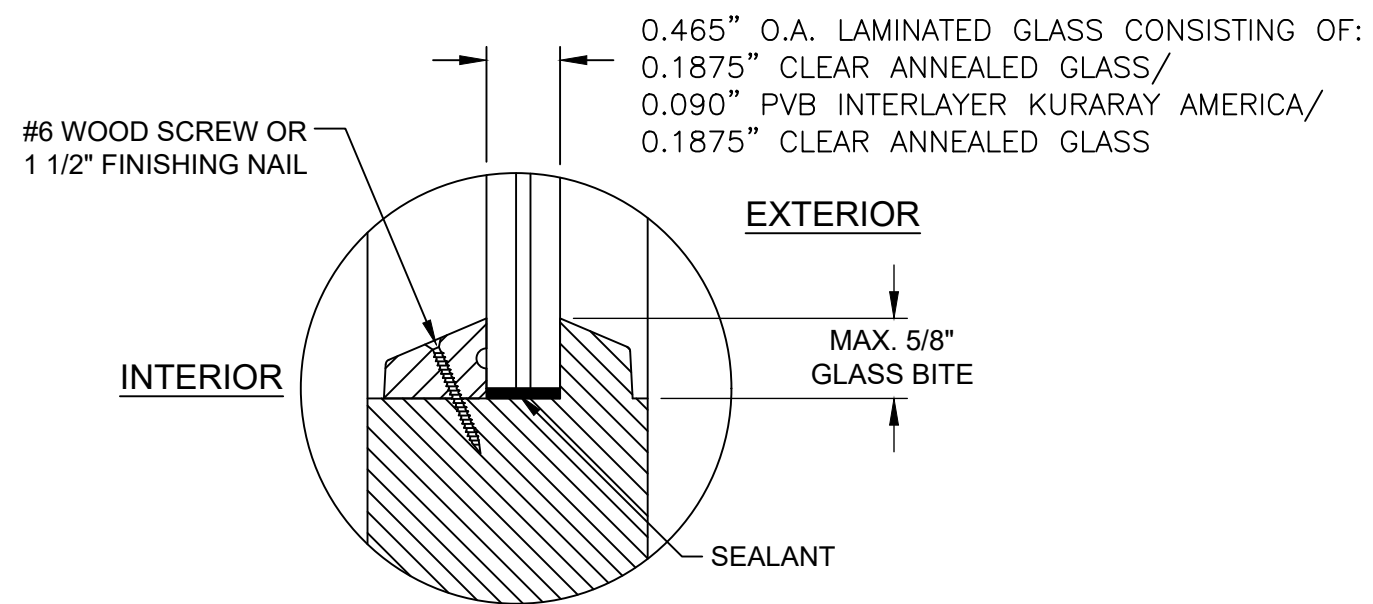
D HORIZONTAL SECTION
MASONRY SUBSTRATE



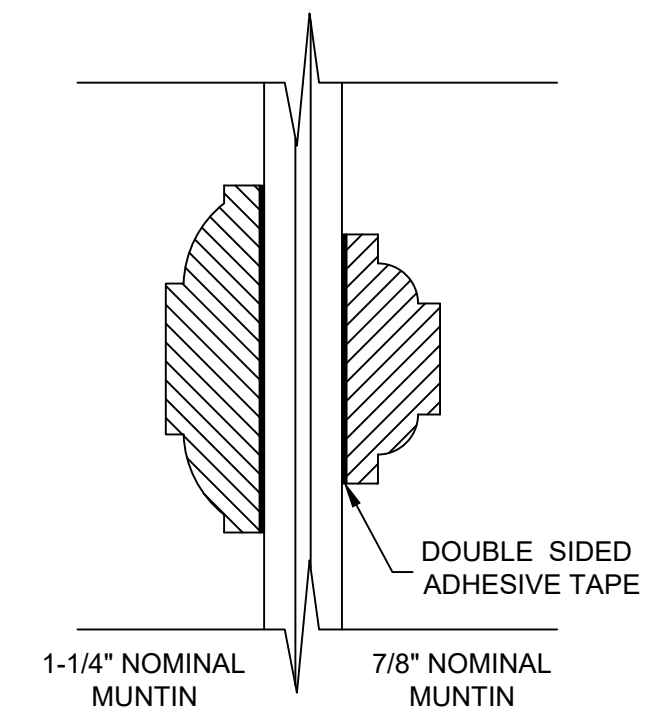
E HORIZONTAL SECTION
WOOD FRAME SUBSTRATE



F HORIZONTAL SECTION
WOOD FRAME SUBSTRATE



GLAZING DETAIL



OPTIONAL APPLIED MUNTIN(S)

PROJECT NO. 421-0102				

SIMPSON DOOR COMPANY
400 SIMPSON AVE.
MCCLEARY, WA 98557

TITLE: MAHOGANY THORO HUNG WESTAR GLAZED DBL OS DOOR
HORIZONTAL SECTIONS, GLAZING & MUNTIN DETAILS

PREPARED BY: RJA
SCALE: N.T.S.
DATE: 6/11/21
DRAWING NO.: SIMP0017
SHEET: 4 OF 5

Phone: 321.690.1788
PO Box 320775
Lynchburg, VA 24075
Email: info@gpc-corp.com
FBPE GA. NO. 25535

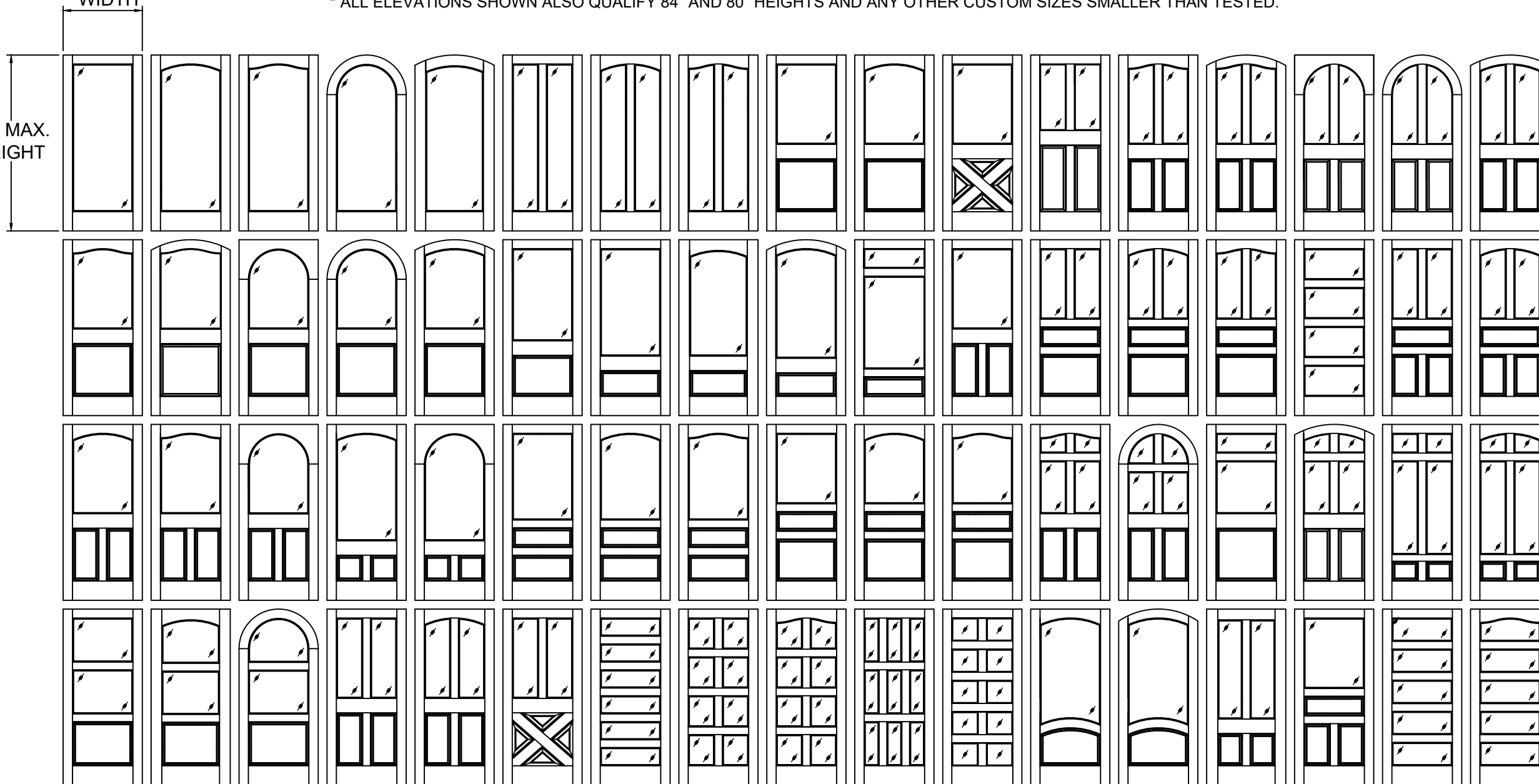
Robert J. Amoruso, P.E.
Florida P.E. No. 49752

35-3/4" MAX.

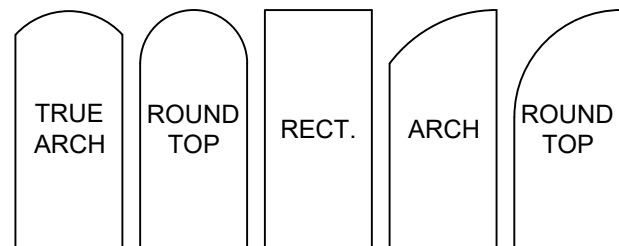
WIDTH

* ALL ELEVATIONS SHOWN ALSO QUALIFY 84" AND 80" HEIGHTS AND ANY OTHER CUSTOM SIZES SMALLER THAN TESTED.

95" MAX.
HEIGHT

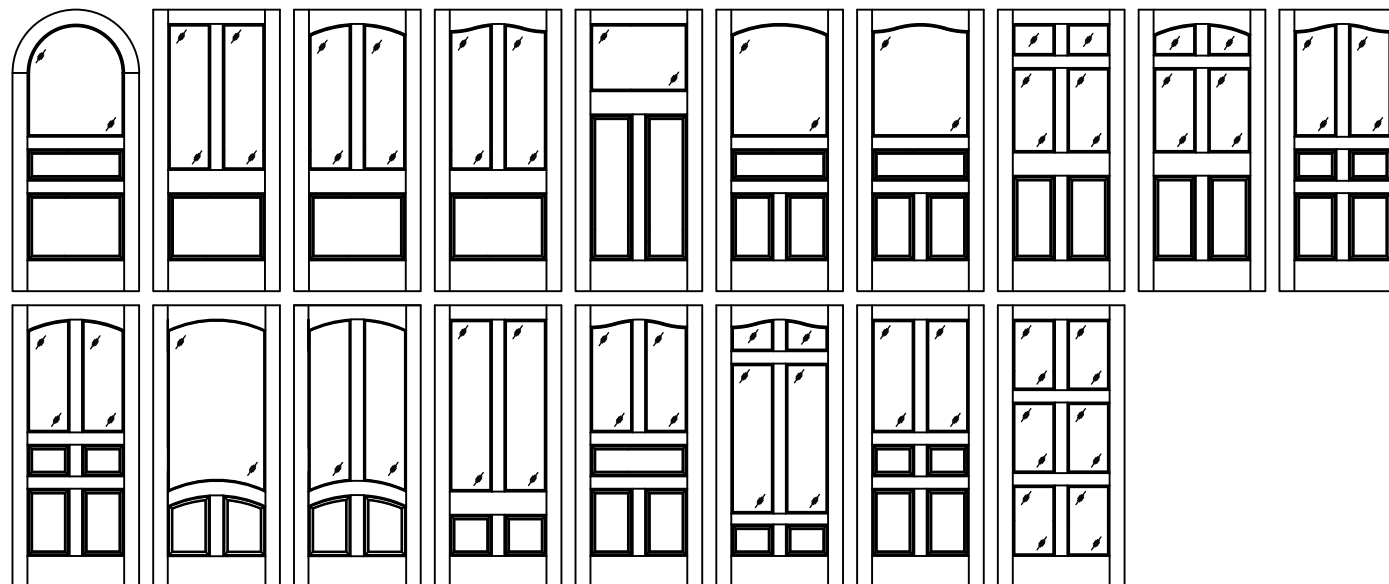


NOTE: DOOR PANELS MAY BE
RECTANGULAR, ARCH, OR ROUND TOP.



APPLICABLE GLAZED PANEL DOORS

NOTE:
APPLIED MUNTINS USED FOR DIVIDED LITES.
V-GROOVES OPTIONAL FOR BOTH FLAT AND
RAISED PANELS.



SIMPSON DOOR COMPANY
400 SIMPSON AVE.
MCCLEARY, WA 98557

TITLE: MAHOGANY THORO HUNG WESTAR GLAZED DBL OS DOOR
CONFIGURATIONS

PREPARED BY:	DATE:	DRAWING NO.:	SHEET:
RJA	6/11/21	SIMP0017	5 OF 5
SCALE:	N.T.S.	REV:	---



Robert J. Amoroso, P.E.
Florida P.E. No. 49752



PROJECT NO. 421-0102

REV	DESCRIPTION	DATE	BY